

# SRM-22GES/U-SB

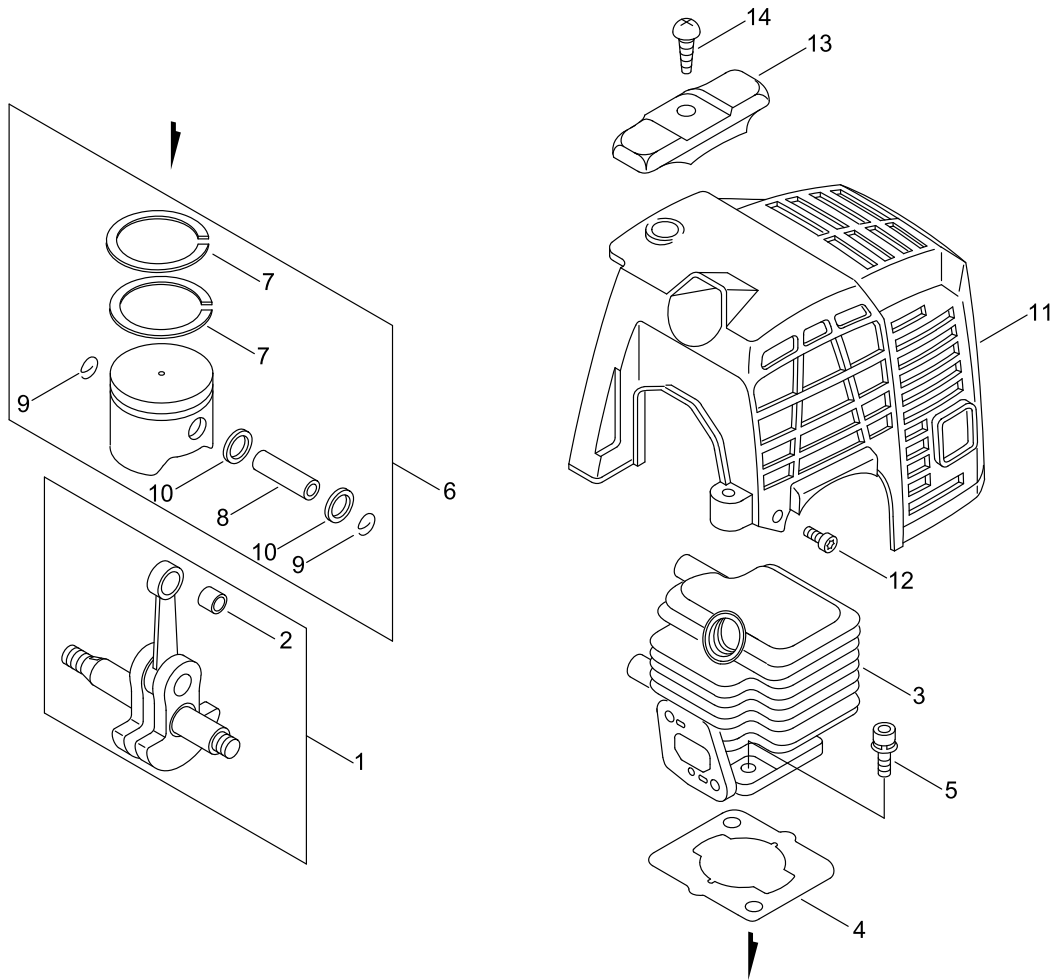
Published:03/09/2017

## TABLE OF CONTENTS

---

CYLINDER, PISTON, CRANKSHAFT.....	1
CRANKCASE .....	3
MAGNETO.....	5
CLUTCH.....	7
AIR CLEANER, CARBURETOR.....	9
CARBURETOR.....	11
FUEL TANK.....	13
MUFFLER .....	15
RECOIL STARTER, PULLY .....	17
GEAR CASE, SHIELD.....	19
MAIN PIPE, HANDLE.....	21
THROTTLE .....	23
ACCESSORIES .....	25
NYLON LINE CUTTER.....	27

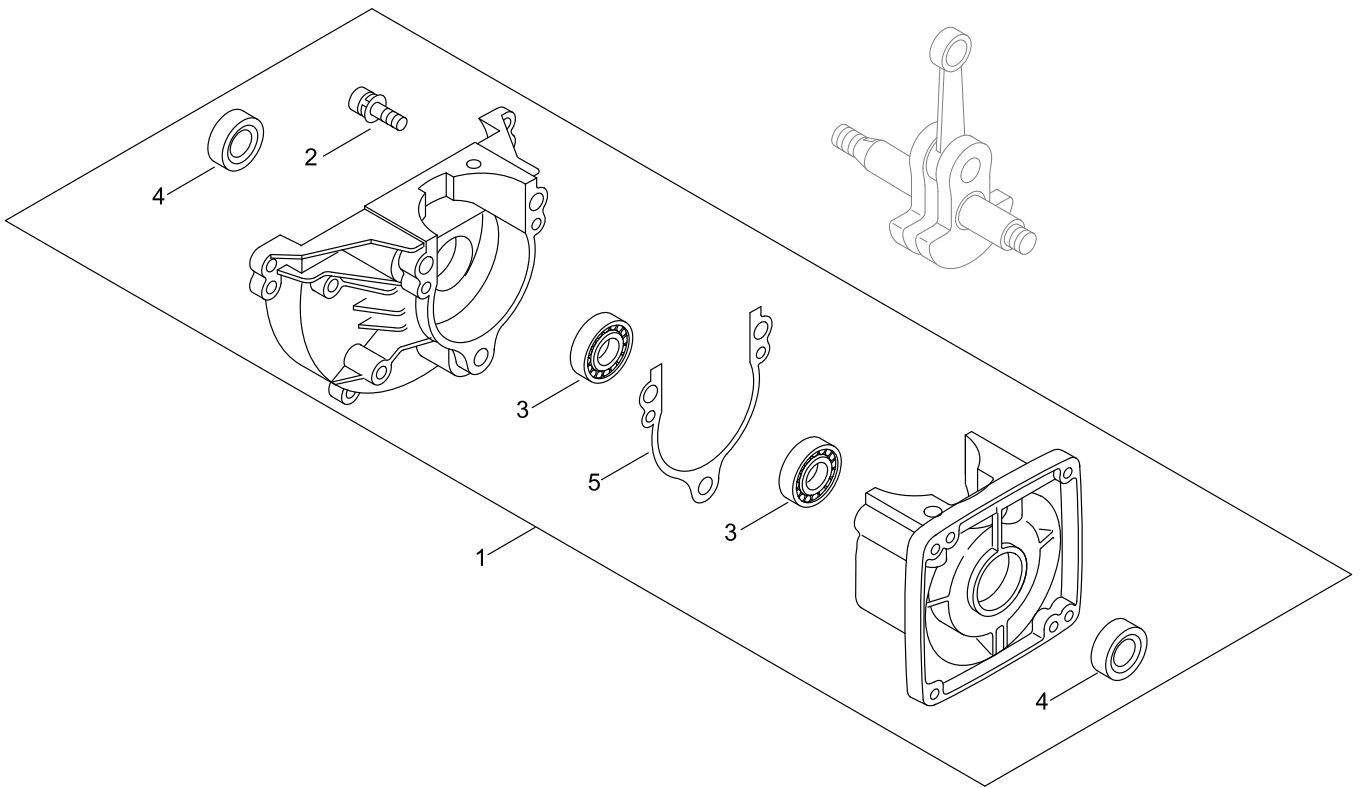
# CYLINDER, PISTON, CRANKSHAFT



## CYLINDER, PISTON, CRANKSHAFT

KEY NO	LV(+)	Part No	Description	Qty	Standard
1		A011-001300	CRANKSHAFT,ASY	1	
2	+	V553-000010	BEARING,NEEDLE 8	1	HK0810
3		A130-000012	CYLINDER	1	32.2 4T
4		101010-44332	GASKET, CYL. BASE	1	
5		900162-05022	BOLT, H.S. 5*22	2	5*22 W,SW
6		P021-009950	PISTON KIT	1	
7	+	A101-000000	RING,PISTON	2	
8	+	100013-11520	PIN, PISTON	1	
9	+	100015-04630	CIRCLIP, PISTON PIN	2	
10	+	V306-000150	WASHER,CIRCULAR 8	2	8.2*13*0.8
11		A160-000620	COVER,CYLINDER	1	
12		V804-000060	BOLT, TORX 4	2	TB-4*16 10.9
13		A162-000060	GUARD, TOP	1	
14		900253-05020	SCREW 5*20	1	5*20

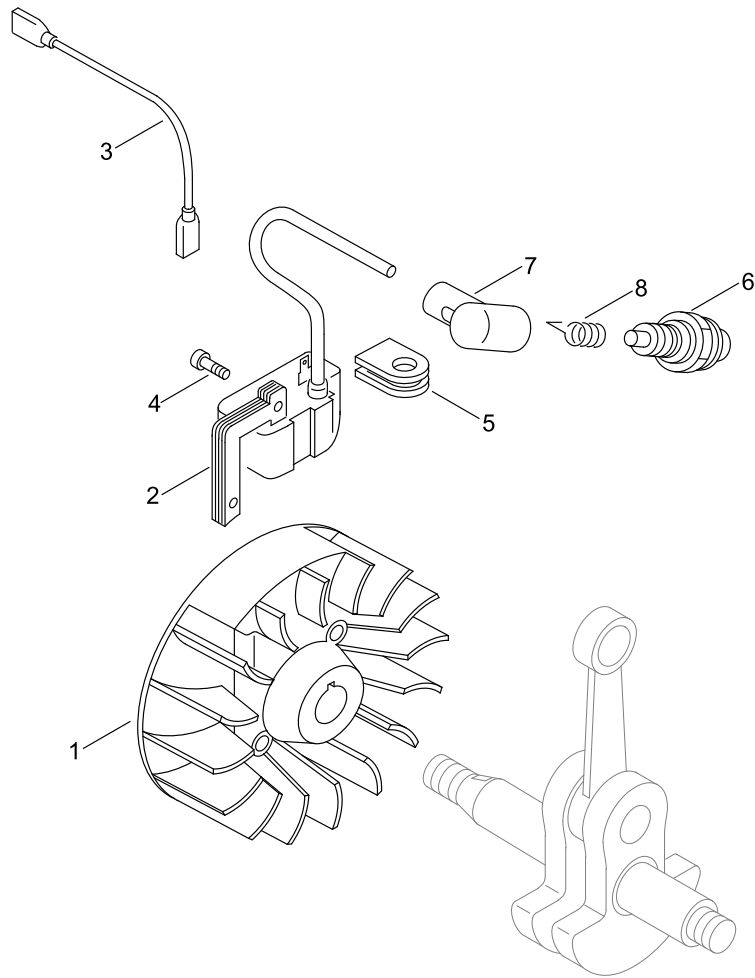
# CRANKCASE



## CRANKCASE

KEY NO	LV(+)	Part No	Description	Qty	Standard
1		P021-041670	CRANKCASE KIT	1	
2	+	900162-05028	BOLT, H.S. 5*28	3	5*28 W,SW
3	+	94095-36201	BEARING BALL	2	
4	+	100212-42031	OILSEAL	2	ISCD 12*22*4.5
5	+	100242-42030	GASKET, CRANKCASE	1	

# MAGNETO

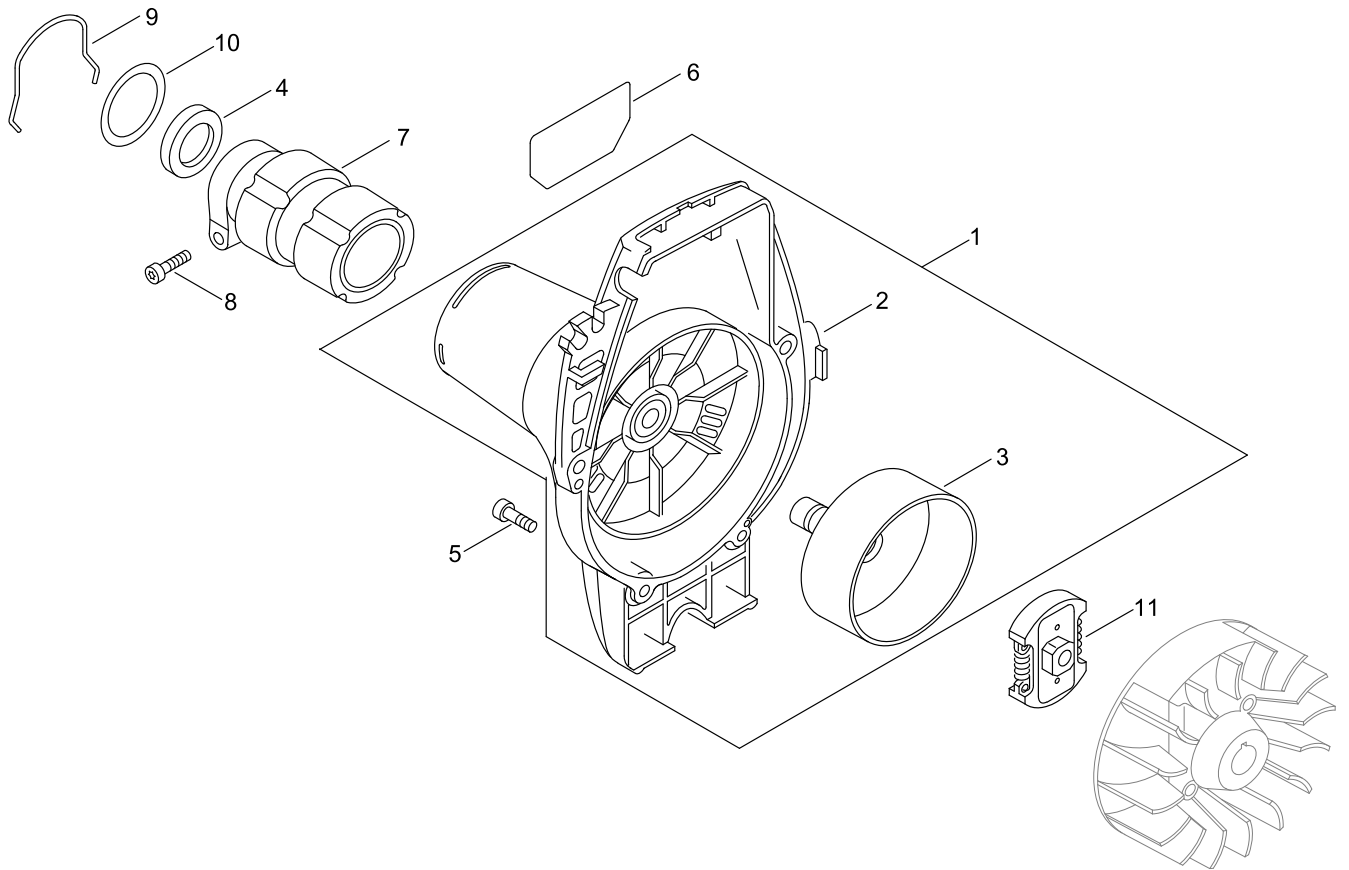


## MAGNETO

KEY NO	LV(+)	Part No	Description	Qty	Standard
1		A409-000000	ROTOR,MAGNETO	1	
2		156601-52131	COIL, IGNITION	1	
3		162010-52830	LEAD, GROUND	1	
4		V804-000070	BOLT, TORX 4	2	TB-4*20 12.9
5		156112-40630	GROMMET	1	
6		159010-10230	PLUG, SPARK (BPMR-7A	1	BPMR-7A
7		159012-03433	CAP, SPARK PLUG	1	
8		159011-03432	COIL, SPARK PLUG	1	



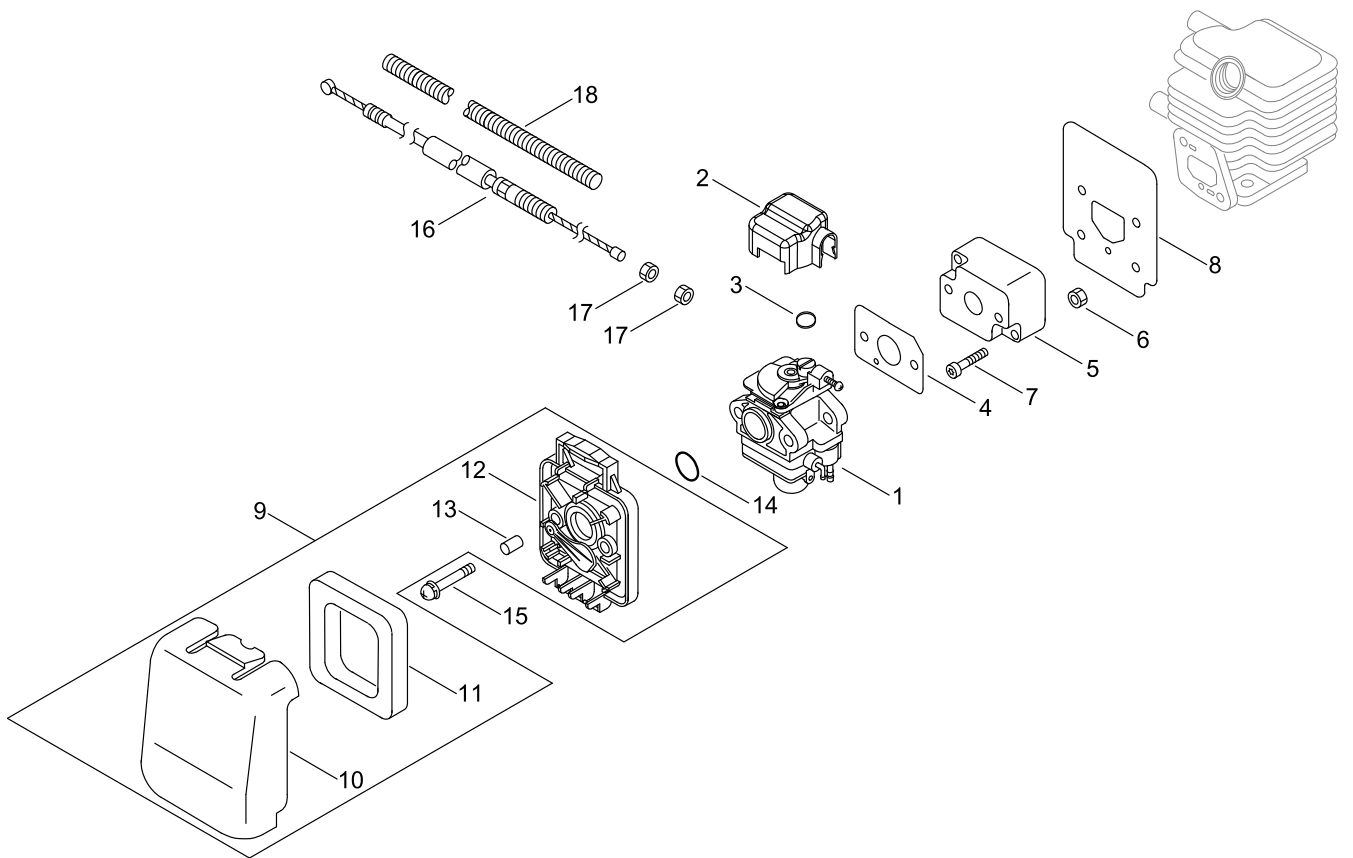
# CLUTCH



## CLUTCH

KEY NO	LV(+)	Part No	Description	Qty	Standard
1		P100-002520	FAN COVER ASY	1	
2	+	A172-002790	COVER,FAN	1	
3	+	175005-44331	DRUM, CLUTCH	1	
4		175313-20430	RING, FELT	1	
5		V804-000060	BOLT, TORX 4	4	TB-4*16 10.9
6		X547-003060	LABEL,ECHO	1	
7		A575-000640	FIXTURE, MAIN PIPE	1	
8		V805-000170	BOLT, TORX 5	1	TB-5*25 10.9
9		660316-55630	CLIP	1	
10		V315-000030	WASHER,CIRCULAR 30	1	33.5*41.0*T0.5
11		175000-56831	CLUTCH ASSEMBLY	1	

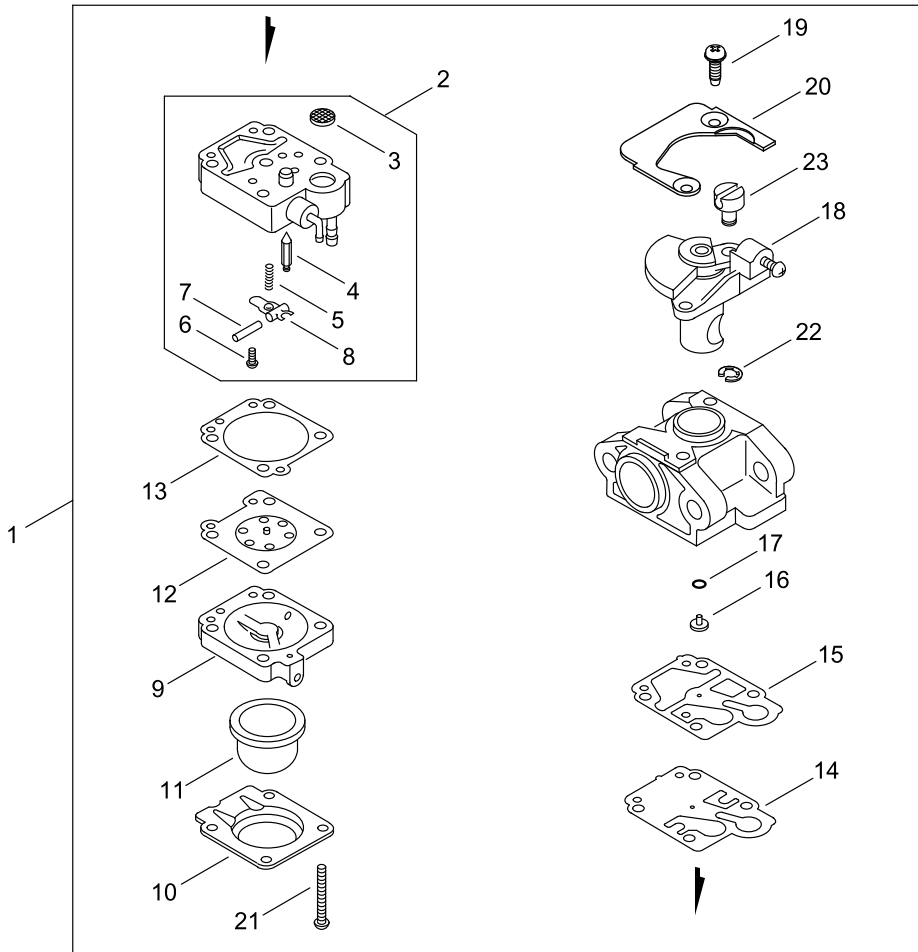
# AIR CLEANER, CARBURETOR



## AIR CLEANER, CARBURETOR

KEY NO	LV(+)	Part No	Description	Qty	Standard
1		A021-003950	CARBURETOR, DIAPHRAGM	1	WALBRO WYL
2		A127-000141	COVER,DUST	1	
3		V490-000440	CLIP	1	
4		V103-000251	GASKET,INTAKE	1	
5		130017-44331	INSULATOR	1	
6		900500-00005	NUT 5	2	5
7		V805-000160	BOLT, TORX 5	2	TB-5*20 10.9
8		V103-000240	GASKET,INTAKE	1	
9		A027-000010	CLEANER,ASM AIR	1	
10	+	P022-039200	LID, AIR CLEANER	1	
11	+	130310-44430	FILTER, AIR	1	
12	+	P003-000830	CASE, AIR CLEANER	1	
13	+	130327-44330	SLEEVE	2	
14		900720-00015	O-RING 15	1	P-15
15		900242-05064	SCREW 5*64	2	5*64
16		V430-001980	CABLE,BOWDEN	1	
17		900502-00006	NUT 6 (3N)	2	3N6
18		V475-001500	TUBE	1	7*740

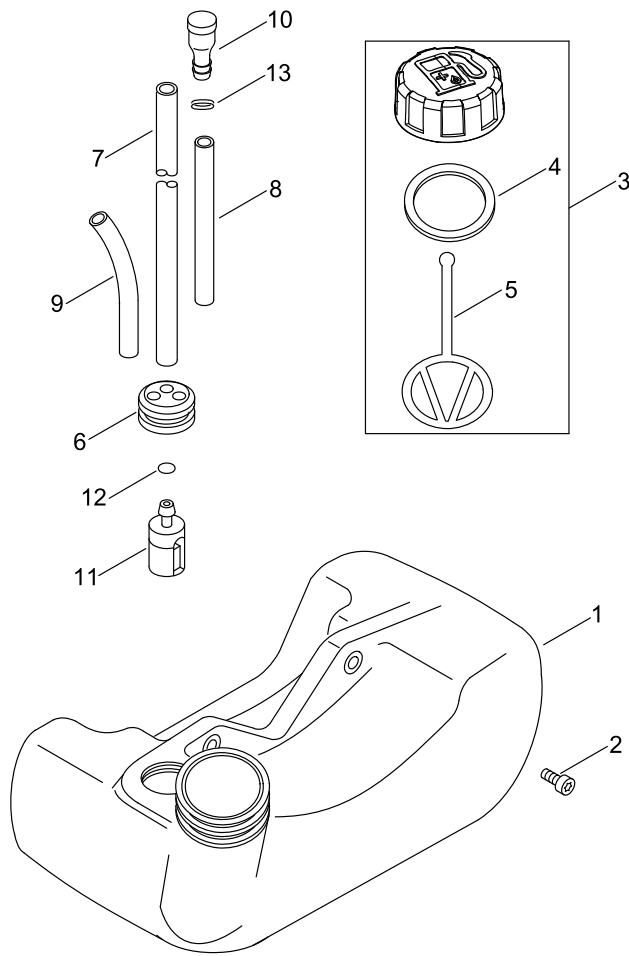
# CARBURETOR



## CARBURETOR

KEY NO	LV(+)	Part No	Description	Qty	Standard
1		A021-003950	CARBURETOR, DIAPHRAGM	1	WALBRO WYL
2	+	123179-05560	BODY ASSY, PUMP	1	
3	++	123126-10631	SCREEN, INLET	1	
4	++	123137-19830	VALVE, INLET NEEDLE	1	
5	++	123122-05560	SPRING, METER. LEVER	1	
6	++	123139-05560	SCREW, M. LEVER PIN	1	
7	++	123138-03930	PIN, METERING LEVER	1	
8	++	123123-03930	LEVER, METERING	1	
9	+	123180-05560	BODY, AIR PURGE	1	
10	+	123142-05560	COVER, PRIMER PUMP	1	
11	+	123181-40630	PUMP, PRIMER	1	
12	+	P003-001850	DIAPHRAGM, METERING	1	
13	+	123140-05560	GASKET, M. DIAPHRAGM	1	
14	+	123112-40630	DIAPHRAGM, PUMP	1	
15	+	123125-40630	GASKET, PUMP	1	
16	+	123184-44330	JET #37	1	#37
17	+	123183-40630	O-RING	1	
18	+	P003-000840	VALVE ASY THROTTLE	1	
19	+	P003-001840	SCREW	2	
20	+	X424-000040	FIXTURE,COVER	1	
21	+	123110-05560	SCREW, PUMP COVER	4	
22	+	123173-07930	CLIP	1	
23	+	123172-45130	SWIVEL	1	

# FUEL TANK

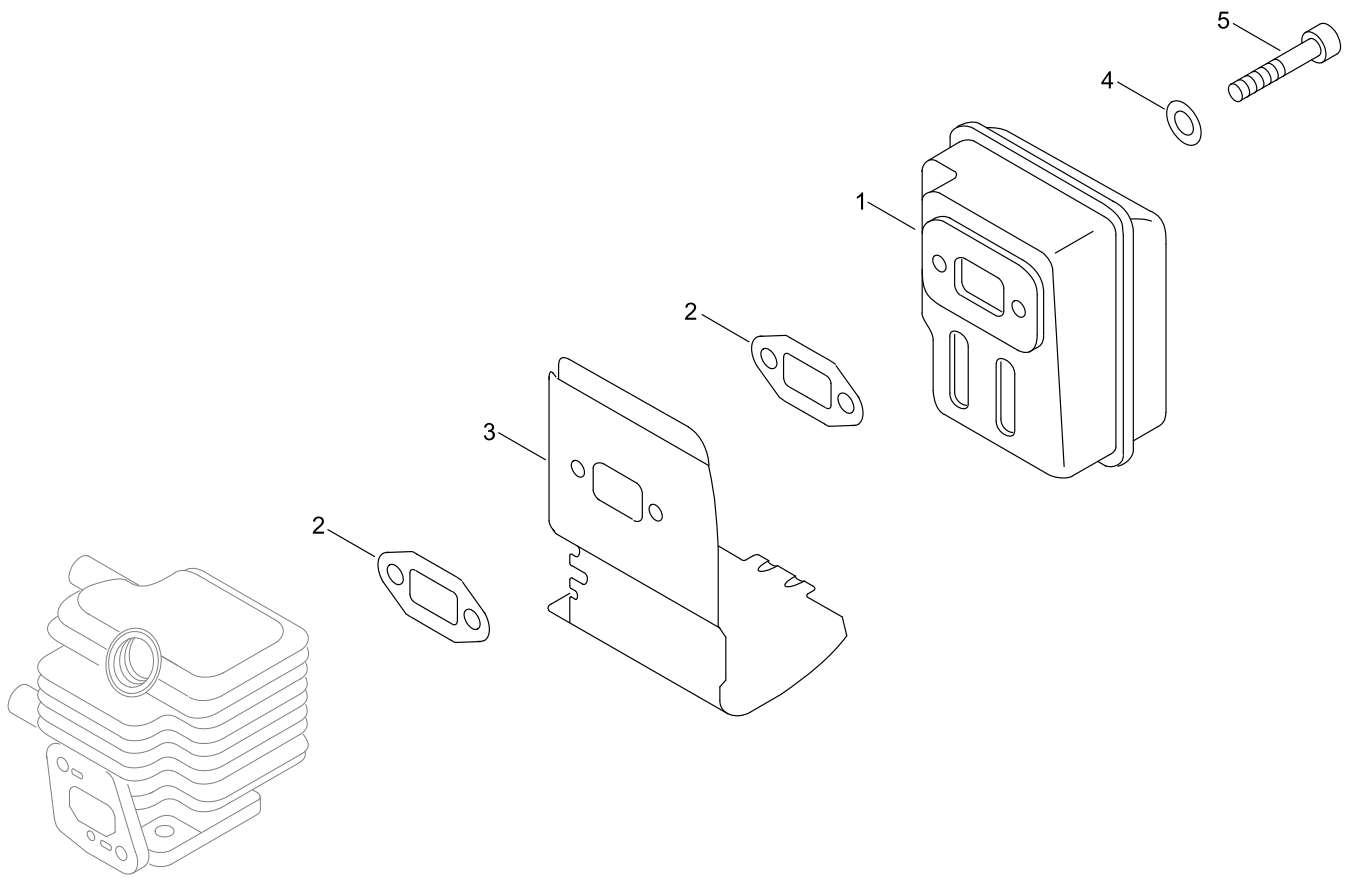


## FUEL TANK

KEY NO	LV(+)	Part No	Description	Qty	Standard
1		A350-002430	TANK, FUEL	1	
2		V805-000160	BOLT, TORX 5	1	TB-5*20 10.9
3		P021-012210	CAP,FUEL ASY	1	
4	+	131016-55830	GASKET, FUEL CAP	1	
5	+	A365-000060	CONNECTOR,CAP	1	L=123
6		132115-46730	GROMMET, FUEL	1	
7		V471-001190	PIPE	1	3*5*180 NBR
8		V471-001200	PIPE	1	3*5*70 NBR
9		132717-50430	PIPE 3* 6* 70	1	3*6*70 YL
10		131300-56431	VENT ASSEMBLY, FUEL	1	
11		131205-07321	STRAINER, FUEL	1	
12		V490-001240	CLIP	1	
13		130111-00530	CLIP	1	5.5



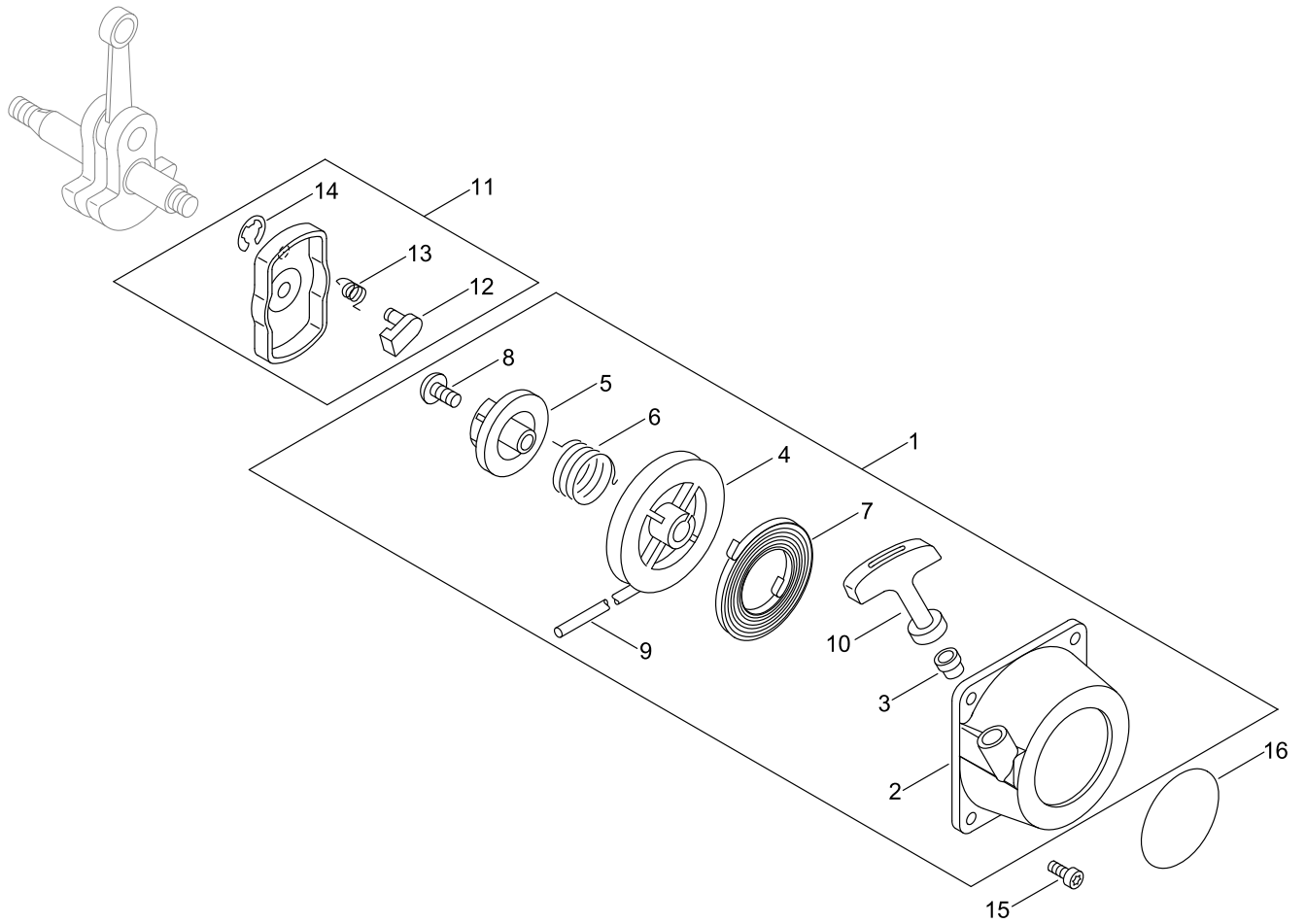
# MUFFLER



## MUFFLER

KEY NO	LV(+)	Part No	Description	Qty	Standard
1		A300-000350	MUFFLER,EXHAUST	1	
2		V104-000160	GASKET,EXHAUST	2	
3		A320-000251	COVER,MUFFLER	1	
4		900600-00005	WASHER 5	2	5
5		V805-000190	BOLT, TORX 5	2	TB-5*55 12.9

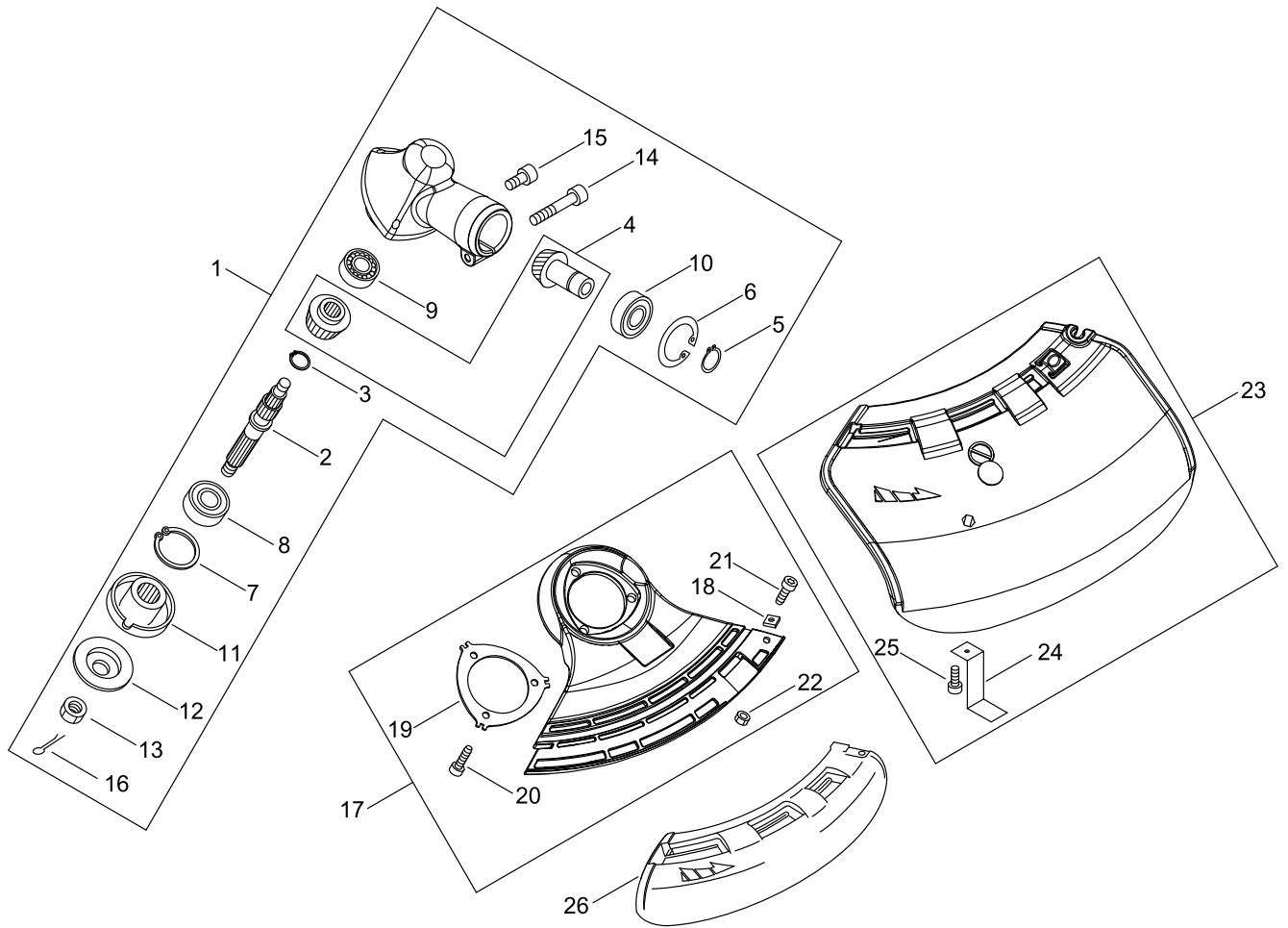
# RECOIL STARTER, PULLY



## RECOIL STARTER, PULLY

KEY NO	LV(+)	Part No	Description	Qty	Standard
1		A051-001411	STARTER,RECOIL ASY	1	
2	+	P022-037150	STARTER CASE	1	
3	+	177227-42030	GUIDE, ROPE	1	
4	+	P022-034040	DRUM, STARTER	1	
5	+	P022-034030	PLATE, CAM	1	
6	+	P022-008270	SPRING,DAMPER	1	
7	+	P022-019680	SPRING, SPIRAL	1	
8	+	177236-61830	SCREW	1	
9	+	P022-025730	ROPE, STARTER	1	
10	+	P022-036700	GRIP, STARTER	1	
11		A052-000180	PULLEY,ASM STARTER	1	
12	+	P022-006850	PAWL, STARTER	2	
13	+	P022-006510	SPRING, RETURN	2	
14	+	P022-002100	E-RING	2	4
15		V804-000060	BOLT, TORX 4	2	TB-4*16 10.9
16		X502-000890	LABEL,ECHO	1	

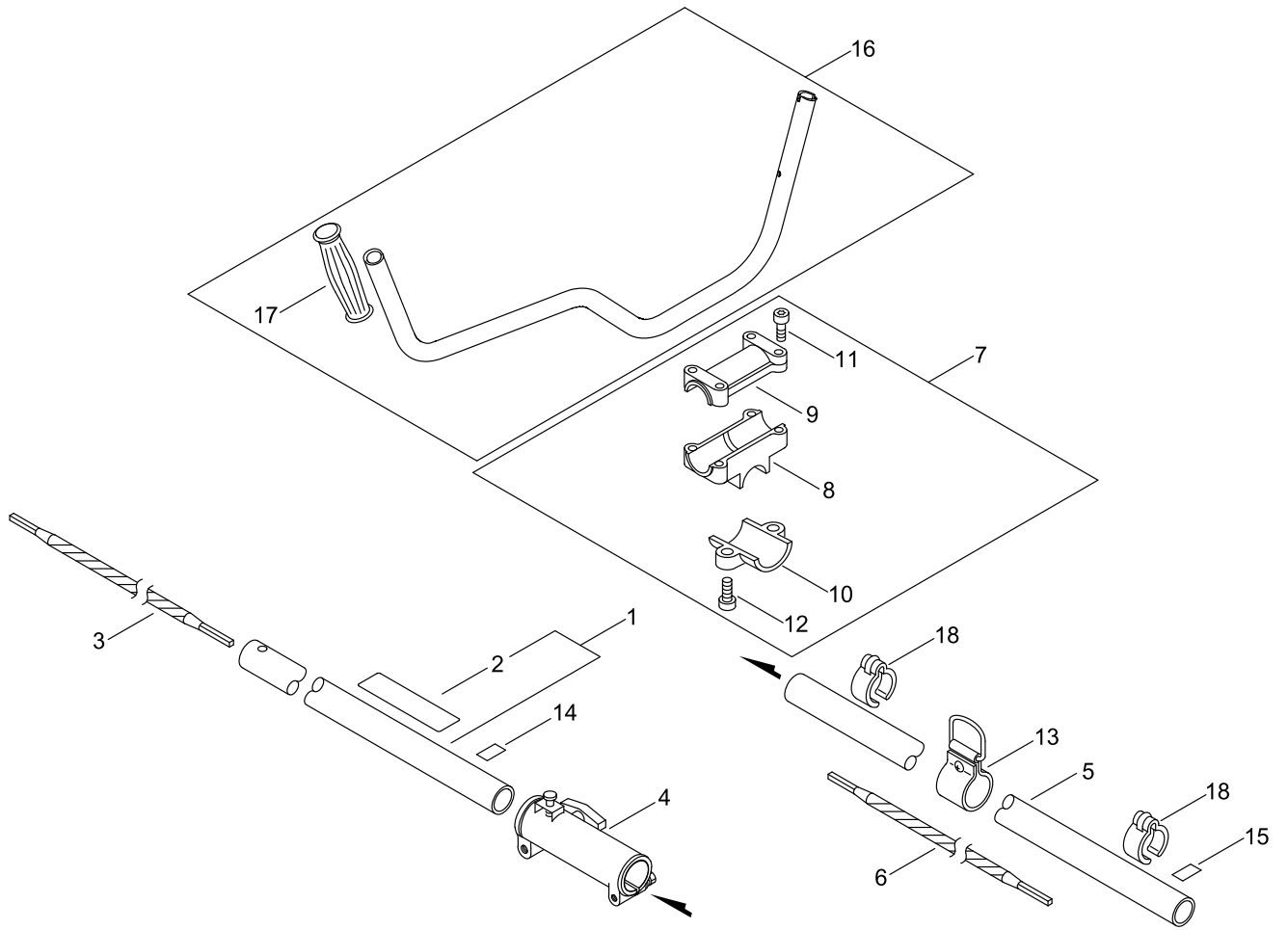
# GEAR CASE, SHIELD



## GEAR CASE, SHIELD

KEY NO	LV(+)	Part No	Description	Qty	Standard
1		P100-002350	CASE ASY, GEAR	1	
2	+	P022-039240	SHAFT,GEAR	1	
3	+	P022-039250	RING,SNAP	1	WR12
4	+	P100-000480	BEVEL GEAR SET	1	
5	+	P022-020700	CIRCLIP 9	1	
6	+	P022-020690	CIRCLIP 24	1	
7	+	P022-039270	CIRCLIP 24	1	R32
8	+	P022-039860	BEARING, BALL	1	
9	+	P022-020720	BEARING, BALL	1	
10	+	P022-020710	BEARING, BALL	1	
11	+	P022-047790	FIXTURE,BLADE	1	
12	+	P022-047800	PLATE,ADAPTER	1	
13	+	900511-00010	NUT 10 (L-H)	1	10*P1.25
14	+	V805-000170	BOLT, TORX 5	1	TB-5*25 10.9
15	+	V805-000130	BOLT, TORX 5	1	TB-5*10 10.9
16	+	900300-20022	PIN, SPLIT 2*22	1	2*22
17		P100-002480	SHIELD ASY	1	
18	+	900565-00005	NUT	1	5
19	+	C552-000240	PLATE, SHIELD	1	TRI-TAB PLATE
20	+	V805-000160	BOLT, TORX 5	3	TB-5*20 10.9
21	+	V805-000170	BOLT, TORX 5	1	TB-5*25 10.9
22	+	900562-00005	NUT, LOCK	1	5
23		P100-002490	SHIELD ASY	1	
24	+	C554-000001	KNIFE,CORD	1	
25	+	V805-000150	BOLT, TORX 5	1	TB-5*16 10.9
26		C550-000541	SHIELD, BLADE	1	

# MAIN PIPE, HANDLE

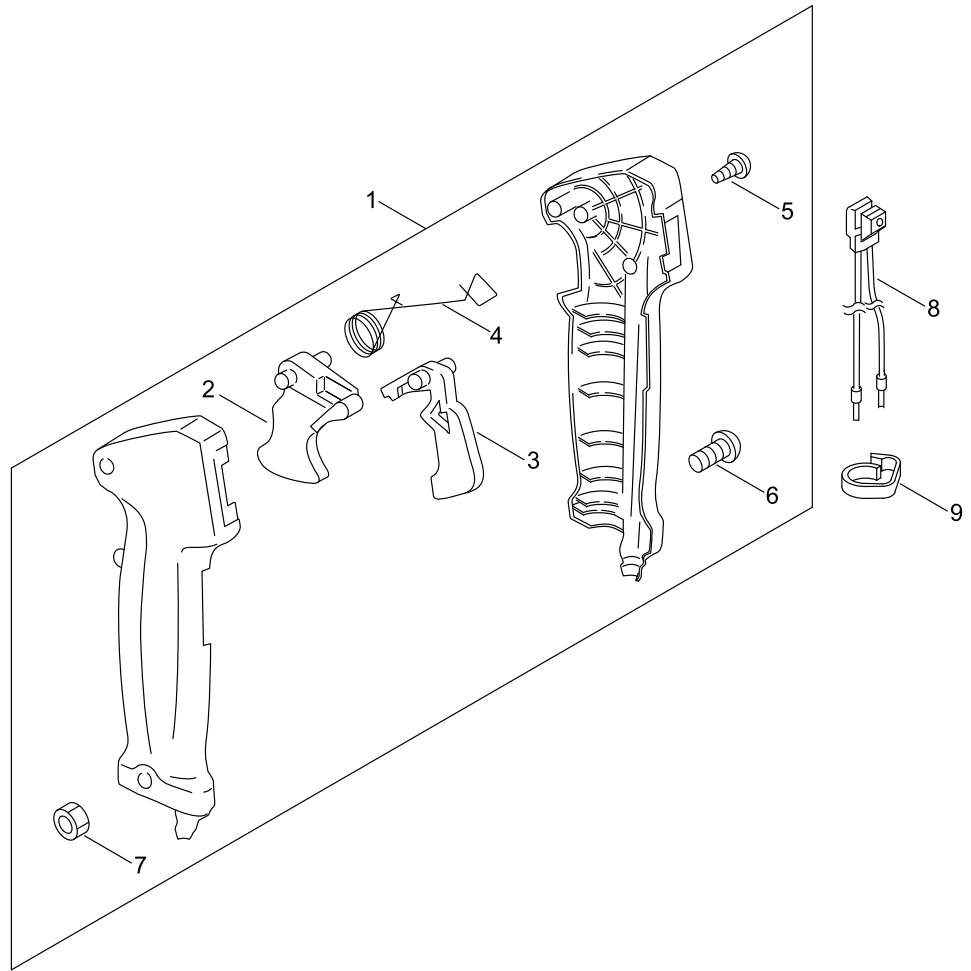


## MAIN PIPE, HANDLE

KEY NO	LV(+)	Part No	Description	Qty	Standard
1		P100-002470	MAIN PIPE ASY	1	
2	+	890617-43130	LABEL,CAUTION	1	
3		P022-047740	SHAFT, FLEXIBLE	1	
4		P022-047750	COUPLING	1	
5		P022-047780	PIPE,MAIN	1	
6		P022-047760	SHAFT, FLEXIBLE	1	
7		P021-041050	BRACKET ASY, HANDLE	1	
8	+	351312-22331	BRACKET, HANDLE (C)	1	
9	+	351313-22332	BRACKET, HANDLE (U)	1	
10	+	351314-22332	BRACKET, HANDLE (L)	1	
11	+	V805-000170	BOLT, TORX 5	4	TB-5*25 10.9
12	+	V805-000170	BOLT, TORX 5	2	TB-5*25 10.9
13		C063-000040	HOOK,LIFTING	1	
14		890152-04930	LABEL, CAUTION	1	
15		890152-04930	LABEL, CAUTION	1	
16		P100-002420	HANDLE ASY	1	
17	+	351311-02330	GRIP, HANDLE	1	
18		224924-52130	CLIP	2	25MM



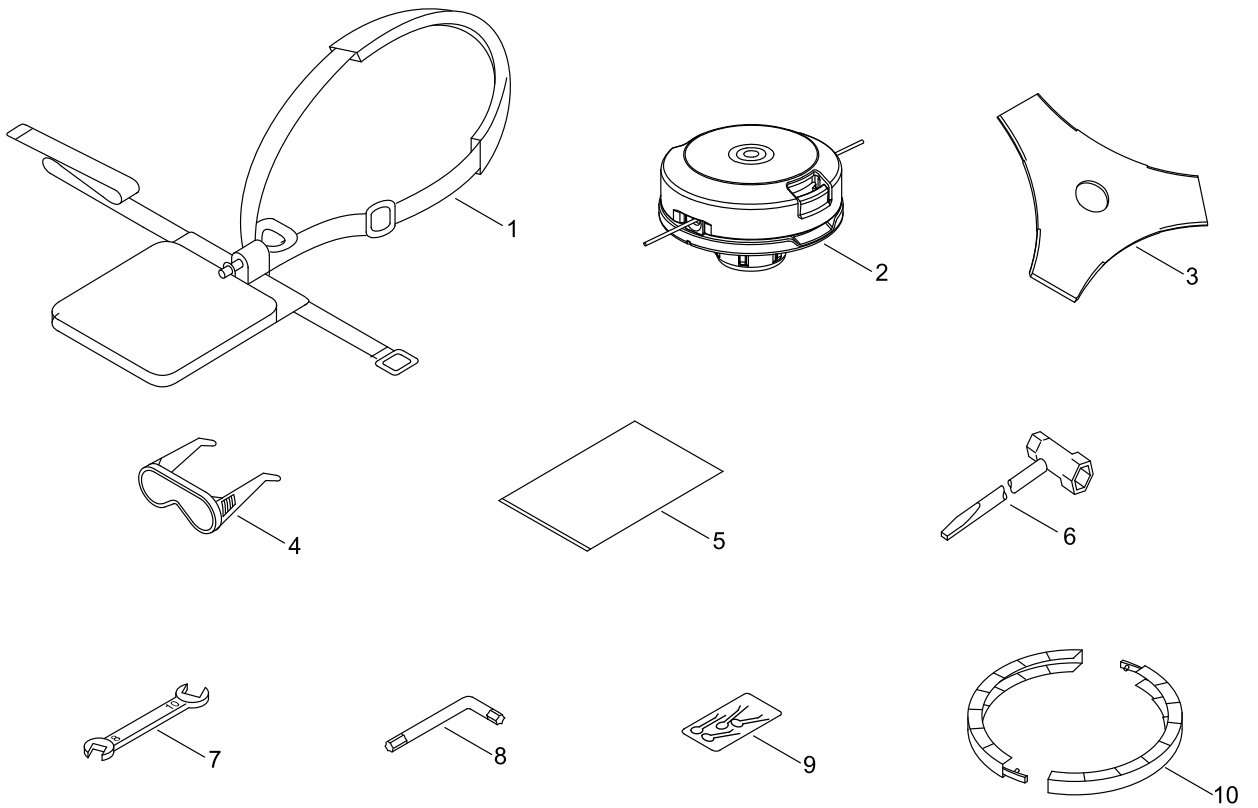
# THROTTLE



## THROTTLE

KEY NO	LV(+)	Part No	Description	Qty	Standard
1		P100-002430	THROTTLE ASY	1	
2	+	178010-05960	CONTROL, THROTTLE	1	
3	+	178012-05960	LOCKOUT, THROTTLE	1	
4	+	178013-35631	SPRING, THR. LOCK	1	
5	+	900246-03025	SCREW 3*25	4	3*25
6	+	900220-05030	SCREW 5*30	1	5*30
7	+	900500-00005	NUT 5	1	5
8		A440-000881	SWITCH, ON OFF	1	
9		159112-09961	CLIP	1	

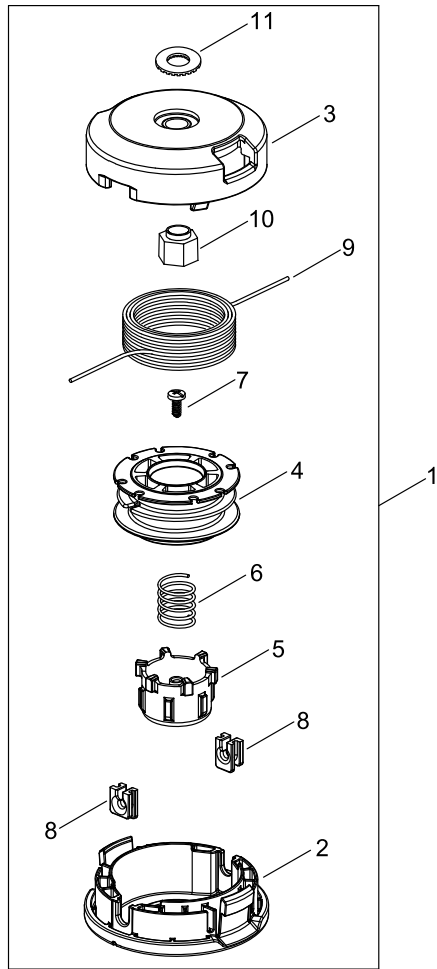
# ACCESSORIES



## ACCESSORIES

KEY NO	LV(+)	Part No	Description	Qty	Standard
1		301001-44731	HARNES, SHOULDER	1	
2		X047-000440	CUTTER,ASM LINE	1	
3		X405-000011	SAW,BUSH CUTTER	1	3*230*25.4*T2.0
4		X690-000080	GOGGLE	1	SI CHINA, Z87.1
5		X698-000040	TOOL,CASE	1	400*500
6		X602-000020	TOOL,WRENCH	1	17*19 L200
7		895112-00330	SPANNER 8*10	1	
8		X605-000170	TOOL,L WRENCH	1	
9		900300-20022	PIN, SPLIT 2*22	10	2*22
10		P021-034750	BLADE COVER	1	

# NYLON LINE CUTTER



## NYLON LINE CUTTER

KEY NO	LV(+)	Part No	Description	Qty	Standard
1		X047-000440	CUTTER,ASM LINE	1	
2	+	P022-025530	CASE	1	
3	+	P022-025540	COVER	1	
4	+	P022-025550	REEL	1	
5	+	P022-025560	BUTTON	1	
6	+	P022-025570	RETURN SPRING	1	
7	+	P022-025580	SET SCREW	1	
8	+	P022-025590	CORD GUIDE	2	
9	+	P022-025600	NYLON CORD	1	
10	+	P022-025620	SHAFT	1	
11	+	V332-000020	WASHER,CIRCULAR 24	1	

# NUMERICAL PARTS INDEX

Part No	Part description	Page	Part No	Part description	Page	Part No	Part description	Page
100013-11520	PIN, PISTON	2	178012-05960	LOCKOUT, THROTTLE	24	A365-000060	CONNECTOR,CAP	14
100015-04630	CIRCLIP, PISTON PIN	2	178013-35631	SPRING, THR. LOCK	24	A409-000000	ROTOR,MAGNETO	6
100212-42031	OILSEAL	4	224924-52130	CLIP	22	A440-000881	SWITCH, ON OFF	24
100242-42030	GASKET, CRANKCASE	4	301001-44731	HARNES, SHOULDER	26	A575-000640	FIXTURE, MAIN PIPE	8
101010-44332	GASKET, CYL. BASE	2	351311-02330	GRIP, HANDLE	22	C063-000040	HOOK,LIFTING	22
123110-05560	SCREW, PUMP COVER	12	351312-22331	BRACKET, HANDLE (C)	22	C550-000541	SHIELD, BLADE	20
123112-40630	DIAPHRAGM, PUMP	12	351313-22332	BRACKET, HANDLE (U)	22	C552-000240	PLATE, SHIELD	20
123122-05560	SPRING, METER. LEVER	12	351314-22332	BRACKET, HANDLE (L)	22	C554-000001	KNIFE,CORD	20
123123-03930	LEVER, METERING	12	660316-55630	CLIP	8	P003-000830	CASE, AIR CLEANER	10
123125-40630	GASKET, PUMP	12	890152-04930	LABEL, CAUTION	22	P003-000840	VALVE ASY THROTTLE	12
123126-10631	SCREEN, INLET	12	890617-43130	LABEL,CAUTION	22	P003-001840	SCREW	12
123137-19830	VALVE, INLET NEEDLE	12	895112-00330	SPANNER 8*10	26	P003-001850	DIAPHRAGM, METERING	12
123138-03930	PIN, METERING LEVER	12	900162-05022	BOLT, H.S. 5*22	2	P021-009950	PISTON KIT	2
123139-05560	SCREW, M. LEVER PIN	12	900162-05028	BOLT, H.S. 5*28	4	P021-012210	CAP,FUEL ASY	14
123140-05560	GASKET, M. DIAPHRAGM	12	900220-05030	SCREW 5*30	24	P021-034750	BLADE COVER	26
123142-05560	COVER, PRIMER PUMP	12	900242-05064	SCREW 5*64	10	P021-041050	BRACKET ASY, HANDLE	22
123172-45130	SWIVEL	12	900246-03025	SCREW 3*25	24	P021-041670	CRANKCASE KIT	4
123173-07930	CLIP	12	900253-05020	SCREW 5*20	2	P022-002100	E-RING	18
123179-05560	BODY ASSY, PUMP	12	900300-20022	PIN, SPLIT 2*22	20	P022-006510	SPRING, RETURN	18
123180-05560	BODY, AIR PURGE	12	900300-20022	PIN, SPLIT 2*22	26	P022-006850	PAWL, STARTER	18
123181-40630	PUMP, PRIMER	12	900500-00005	NUT 5	10	P022-008270	SPRING,DAMPER	18
123183-40630	O-RING	12	900500-00005	NUT 5	24	P022-019680	SPRING, SPIRAL	18
123184-44330	JET #37	12	900502-00006	NUT 6 (3N)	10	P022-020690	CIRCLIP 24	20
130017-44331	INSULATOR	10	900511-00010	NUT 10 (L-H)	20	P022-020700	CIRCLIP 9	20
130111-00530	CLIP	14	900562-00005	NUT, LOCK	20	P022-020710	BEARING, BALL	20
130310-44430	FILTER, AIR	10	900565-00005	NUT	20	P022-020720	BEARING, BALL	20
130327-44330	SLEEVE	10	900600-00005	WASHER 5	16	P022-025530	CASE	28
131016-55830	GASKET, FUEL CAP	14	900720-00015	O-RING 15	10	P022-025540	COVER	28
131205-07321	STRAINER, FUEL	14	94095-36201	BEARING BALL	4	P022-025550	REEL	28
131300-56431	VENT ASSEMBLY, FUEL	14	A011-001300	CRANKSHAFT,ASY	2	P022-025560	BUTTON	28
132115-46730	GROMMET, FUEL	14	A021-003950	CARBURETOR, DIAPHRAGM	10	P022-025570	RETURN SPRING	28
132717-50430	PIPE 3* 6* 70	14	A021-003950	CARBURETOR, DIAPHRAGM	12	P022-025580	SET SCREW	28
156112-40630	GROMMET	6	A027-000010	CLEANER,ASM AIR	10	P022-025590	CORD GUIDE	28
156601-52131	COIL, IGNITION	6	A051-001411	STARTER,RECOIL ASY	18	P022-025600	NYLON CORD	28
159010-10230	PLUG, SPARK (BPMP-7A	6	A052-000180	PULLEY,ASM STARTER	18	P022-025620	SHAFT	28
159011-03432	COIL, SPARK PLUG	6	A101-000000	RING,PISTON	2	P022-025730	ROPE, STARTER	18
159012-03433	CAP, SPARK PLUG	6	A127-000141	COVER,DUST	10	P022-034030	PLATE, CAM	18
159112-09961	CLIP	24	A130-000012	CYLINDER	2	P022-034040	DRUM, STARTER	18
162010-52830	LEAD, GROUND	6	A160-000620	COVER,CYLINDER	2	P022-036700	GRIP, STARTER	18
175000-56831	CLUTCH ASSEMBLY	8	A162-000060	GUARD, TOP	2	P022-037150	STARTER CASE	18
175005-44331	DRUM, CLUTCH	8	A172-002790	COVER,FAN	8	P022-039200	LID, AIR CLEANER	10
175313-20430	RING, FELT	8	A300-000350	MUFFLER,EXHAUST	16	P022-039240	SHAFT,GEAR	20
177227-42030	GUIDE, ROPE	18	A320-000251	COVER,MUFFLER	16	P022-039250	RING,SNAP	20
177236-61830	SCREW	18	A350-002430	TANK, FUEL	14	P022-039270	CIRCLIP 24	20
178010-05960	CONTROL, THROTTLE	24				P022-039860	BEARING, BALL	20

# NUMERICAL PARTS INDEX

Part No	Part description	Page	Part No	Part description	Page
P022-047740	SHAFT, FLEXIBLE	22	X547-003060	LABEL,ECHO	8
P022-047750	COUPLING	22	X602-000020	TOOL,WRENCH	26
P022-047760	SHAFT, FLEXIBLE	22	X605-000170	TOOL,L WRENCH	26
P022-047780	PIPE,MAIN	22	X690-000080	GOGGLE	26
P022-047790	FIXTURE,BLADE	20	X698-000040	TOOL,CASE	26
P022-047800	PLATE,ADAPTER	20			
P100-000480	BEVEL GEAR SET	20			
P100-002350	CASE ASY, GEAR	20			
P100-002420	HANDLE ASY	22			
P100-002430	THROTTLE ASY	24			
P100-002470	MAIN PIPE ASY	22			
P100-002480	SHIELD ASY	20			
P100-002490	SHIELD ASY	20			
P100-002520	FAN COVER ASY	8			
V103-000240	GASKET,INTAKE	10			
V103-000251	GASKET,INTAKE	10			
V104-000160	GASKET,EXHAUST	16			
V306-000150	WASHER,CIRCULAR 8	2			
V315-000030	WASHER,CIRCULAR 30	8			
V332-000020	WASHER,CIRCULAR 24	28			
V430-001980	CABLE,BOWDEN	10			
V471-001190	PIPE	14			
V471-001200	PIPE	14			
V475-001500	TUBE	10			
V490-000440	CLIP	10			
V490-001240	CLIP	14			
V553-000010	BEARING,NEEDLE 8	2			
V804-000060	BOLT, TORX 4	2			
V804-000060	BOLT, TORX 4	8			
V804-000060	BOLT, TORX 4	18			
V804-000070	BOLT, TORX 4	6			
V805-000130	BOLT, TORX 5	20			
V805-000150	BOLT, TORX 5	20			
V805-000160	BOLT, TORX 5	10			
V805-000160	BOLT, TORX 5	14			
V805-000160	BOLT, TORX 5	20			
V805-000170	BOLT, TORX 5	8			
V805-000170	BOLT, TORX 5	20			
V805-000170	BOLT, TORX 5	22			
V805-000190	BOLT, TORX 5	16			
X047-000440	CUTTER,ASM LINE	26			
X047-000440	CUTTER,ASM LINE	28			
X405-000011	SAW,BUSH CUTTER	26			
X424-000040	FIXTURE,COVER	12			
X502-000890	LABEL,ECHO	18			